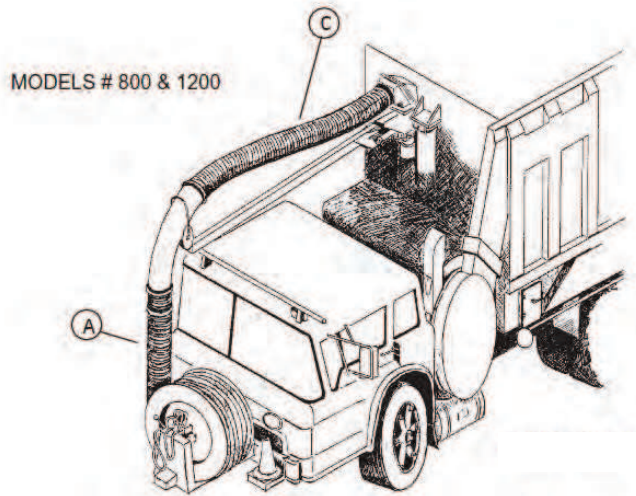


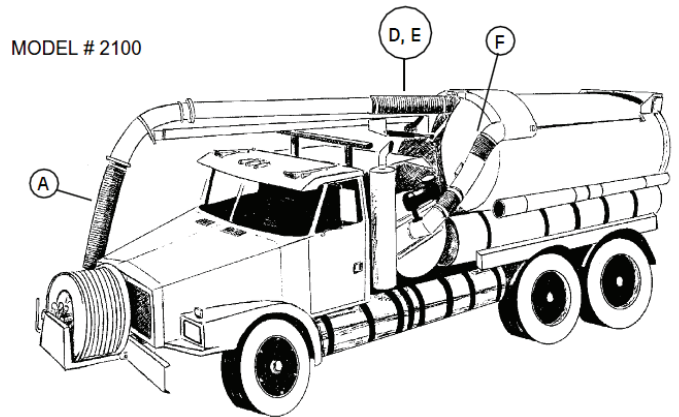
# Vactor® Style Cuffed Rubber Debris Hose

## Vactor® Style Cuffed Rubber Debris Hose



Part #	Description	Size	Letter
U44155	Cuffed Debris Hose	6" x 120"	C
U42596	Cuffed Debris Hose	6" x 60"	A
U47392	Cuffed Debris Hose	6" x 64"	A
U43959	Cuffed Debris Hose	8" x 102"	C
U42597	Cuffed Debris Hose	8" x 120"	C
U43958	Cuffed Debris Hose	8" x 127"	B
U42595	Cuffed Debris Hose	8" x 60"	A
U46564	Cuffed Debris Hose	8" x 62"	D
U46564A	Heavy Duty Cuffed Debris Hose	8" x 62"	E
U44675	Cuffed Debris Hose	8" x 48"	D
U7040M	Cuffed Debris Hose	8" x 37"	E
U70404	Cuffed Debris Hose	10" x 34"	
U46564J	Cuffed Debris Hose	8" x 74"	
U46564N	Heavy Duty Cuffed Debris Hose	8" x 74"	

## Vactor® Style Cuffed Rubber Debris Hose with Installed and Clamped Hose End Weldments



Part #	Description	Size	Letter
U54428	Debris Hose w/ Hose Ends	8" x 66"	A
U54428B	Debris Hose w/ Hose Ends	8" x 60"	A
U54428A	Debris Hose w/ Hose Ends	8" x 62"	D

**Compression Joint** The 10" Compression Joint is used on Vactor® style equipment.



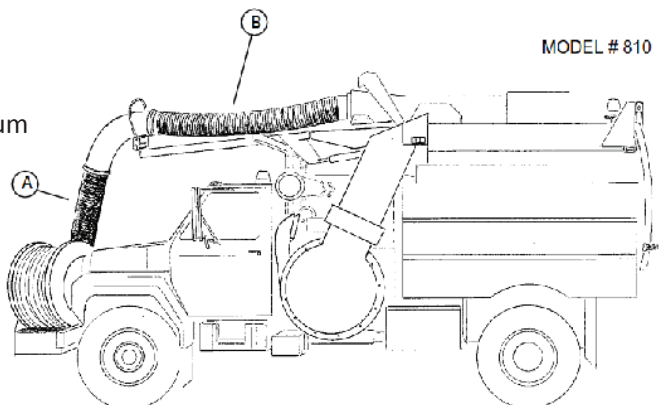
Part #	Size	Letter
U45716	10"	F

## King Clamp



The King Clamp can be used on all vacuum machines with cuffed rubber debris hose to hold to steel weldments. The best clamp-to-hose contact circle in the industry.

Part #	Size
U42592	4" King Clamp
U42593	6" King Clamp
U42594	8" King Clamp



# Vactor® Style Cuffed Rubber Debris Hose

**10" Vactor® Style Debris Suction Hose** Rubber hose to be used on Vactor® style 2100 machine without cuffs.



Part #	Description	Size
U47394	Debris Suction Hose	10" x 10"
U47394F	Debris Suction Hose	10" x 16"
U47394G	Debris Suction Hose	10" x 25"
U47394Q	Debris Suction Hose	10" x 28"
U47394D	Debris Suction Hose	10" x 36"
U46394L	Debris Suction Hose	10" x 48"
U46449	Debris Suction Hose	10" x 66"
U47394E	Debris Suction Hose	10" x 78"
U47394-BULK	Bulk Debris Suction Hose	10" x Per Foot

## Kanaflex® 180AR Hose



Used on Vactor® style machines, Kanaflex® is lighter duty than debris hose, but provides more flexibility.

Part #	Description	Size	Letter
U43321	180AR Kanaflex® Hose	6" x 120"	C
U52343	180AR Kanaflex® Hose	6" x 25'	
U43320	180AR Kanaflex® Hose	6" x 60"	A
U43364	180AR Kanaflex® Hose	8" x 102"	C
U43308	180AR Kanaflex® Hose	8" x 120"	C
U43365	180AR Kanaflex® Hose	8" x 127"	B
U43309	180AR Kanaflex® Hose	8" x 40'	
U43319	180AR Kanaflex® Hose	8" x 60"	A
U45804	180AR Kanaflex® Hose	8" x 62"	A or D
U43363	180AR Kanaflex® Hose	8" x 66"	

Letters correspond with truck diagrams on previous page.

The following part numbers include hose end flanges installed and clamped.

U52763	180AR Kanaflex® Hose w/Ends	8" x 66"	A
U52764	180AR Kanaflex® Hose w/Ends	8" x 102"	C
U52765	180AR Kanaflex® Hose w/Ends	8" x 127"	B

The following part numbers are for bulk hose.

U43322-LENGTH	4" Bulk (Per Foot) 25' Increments Only
U43323-LENGTH	6" Bulk (Per Foot) 25' Increments Only
U43716-LENGTH	8" Bulk (Per Foot) 25' Increments Only

The following part numbers are for hose used on Super Products® machines.

S3906-06000	180AR Kanaflex® Hose	8" x 22'
S3906-06000B	180AR Kanaflex® Hose	8" X 24' 6"

**Power Clamp**



The Power Clamp is used to hold Kanaflex® hose onto steel hose ends.

Part #	Size
U43784	2" Power Clamp
U44215	2 1/2" Power Clamp
U70846	3" Power Clamp
U43389	4" Power Clamp
U43415	6" Power Clamp
U43388	8" Power Clamp
U45739	10" Power Clamp
U45606	12" Power Clamp

# ***Aquatech® Style Cuffed Rubber Debris Hose***



Heavy duty style debris hose used on Aquatech® style machines.

<b>Part #</b>	<b>Size / Description</b>
AT176620	8" x 19' 8" Heavy Duty Cuffed Debris Hose
AT176620-22	8" x 22' Heavy Duty Cuffed Debris Hose
AT176620-25	8" x 25' 8" Heavy Duty Cuffed Debris Hose
AT176630	8" x 8' Heavy Duty Cuffed Debris Hose

# ***Vac-All® Style Cuffed Rubber Debris Hose***



Heavy duty and light duty style collection/debris hose used on Vac-All® style machines.

<b>Part #</b>	<b>Size / Description</b>
V02390-0165B	12" x 100" Heavy Duty Cuffed Debris Hose
V02390-0165D	12" x 30" Heavy Duty Cuffed Debris Hose
V02390-165A	12" x 100" Smooth ID Cuffed Debris Hose
V02390-175A	12" x 100" Light Duty Cuffed Debris Hose

# ***Vac-All® Style Swivel Ball Joint Assembly***

The Vac-All® style swivel ball joint assembly is used to allow free rotation of intake debris hose on Vac-All® style machines. 12" in diameter, and manufactured to O.E.M. specifications. Constructed of chrome-plated steel.

<b>Part #</b>	<b>Size / Description</b>
V680-0001	Vac-All® Style Swivel Ball Joint Assembly

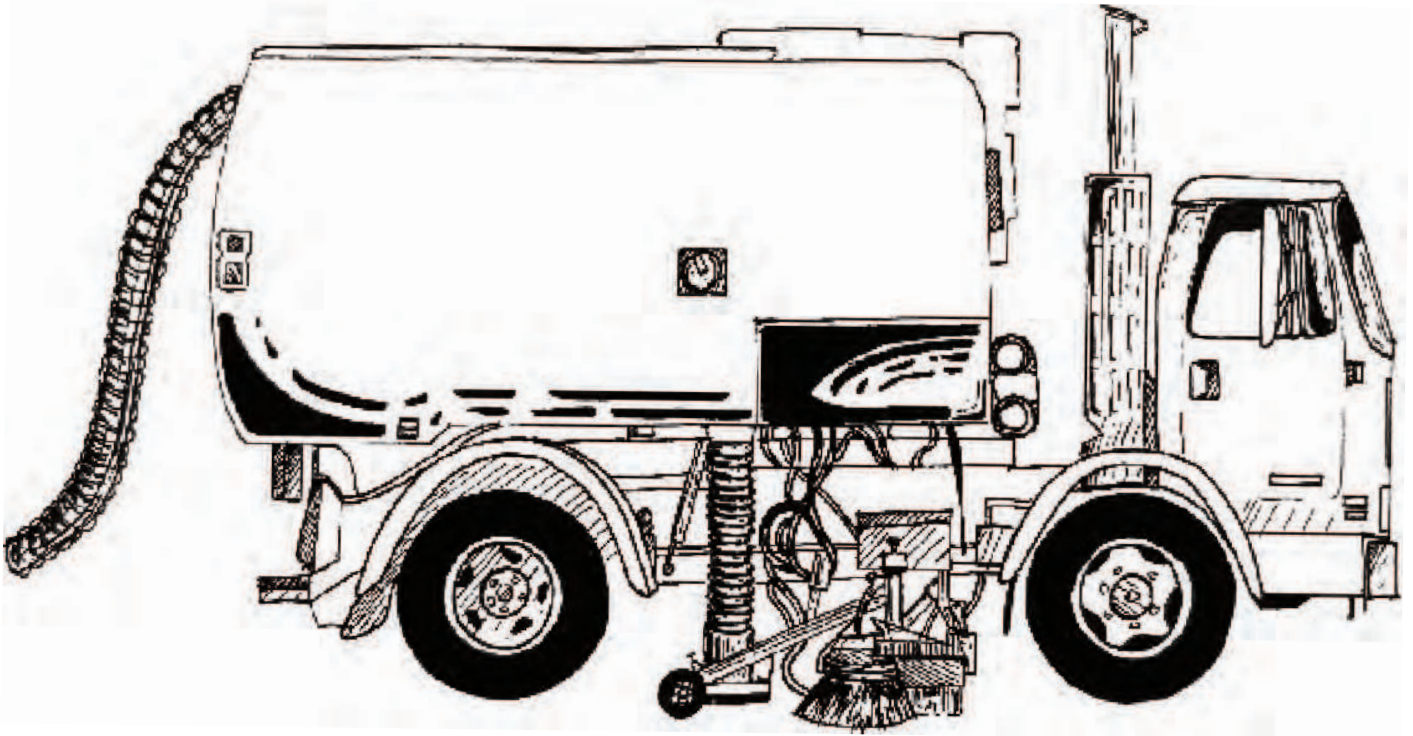


## ***Elgin® Style Cuffed Rubber Debris Hose***



Heavy duty style debris hose used on Elgin® style machines.

<b>Part #</b>	<b>Size / Description</b>
ES1011454	11" x 62" Heavy Duty Cuffed Suction Hose (Fits Whirlwind)
ES1020546	8" x 147" Heavy Duty Cuffed Wandering Hose (Fits Crosswind and Whirlwind)
ES1032976	13" x 42" Heavy Duty Cuffed Suction Hose (Fits Crosswind)
ES1036256	14" x 30" Heavy Duty Cuffed Pressure Hose (Fits Crosswind)



## ***Clean Earth® Style Cuffed Rubber Debris Hose***



Heavy duty style debris hose used on Clean Earth® style machines.

<b>Part #</b>	<b>Size / Description</b>
CE32030029	9 1/4" x 60" Horizontal Boom Hose