

# Vacuum Fans

A 38" diameter fan assembly is a replacement part for Vactor® machines. These fans are constructed to meet exact dimensional specification and each part in the fan assembly is coated with a protectant to ensure longer life.

The center steel hub assembly is welded. The welded areas are then machined to eliminate excess weld material to enhance the performance of the fan when it is spun-up to full running r.p.m. This operation also aids in optimizing the fan into a pre-balanced state.

The center steel hub is then nickel-plated via electrolysis to 70 r.c., which protects it against rust and corrosion. This process also preserves the base steel against abrasive elements.

The fan blades are centrifugally cast, not just die cast. Each fan blade has a tensile strength of 35,900 lbs. compared to others at 27,900 lbs. and a yield strength of 29,400 lbs. compared to others at 20,400 lbs. To safeguard against damaging abrasion, there is a hard chrome coating on the blade face.

The fan blades are then pre-weighed so that all 16 fan blades in the fan assembly weigh the same, again bringing the fan closer to a pre-balanced state.

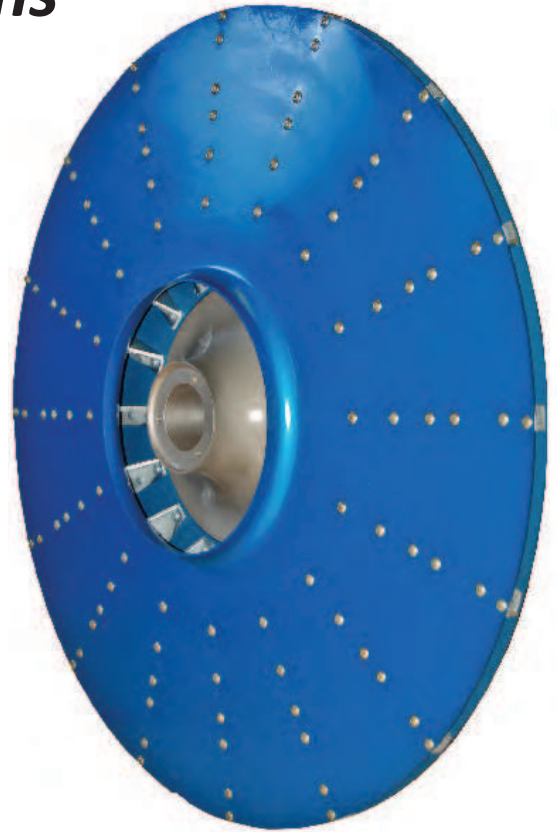
The front and rear cover of each fan is anodized. This electrochemical process protects aluminum parts from corrosion and oxidation.

After assembly, each fan is spin balanced to eliminate vibration stress, providing longer life for both the fan and the transmission. Each fan is supplied with a Taper Lock Bushing.

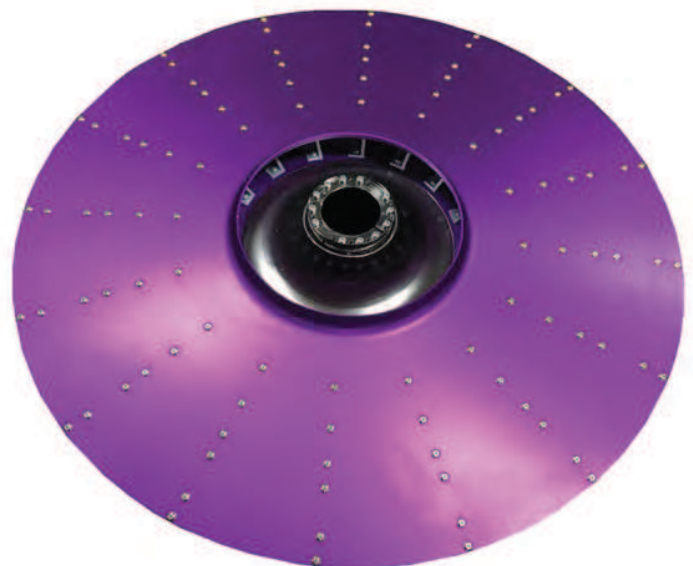
The fan assembly is also covered under a one-year warranty on materials and workmanship. Taper lock also sold separately.

Note: 85lbs. Fan only (Skid - 15lbs.)

**Made in the USA.**



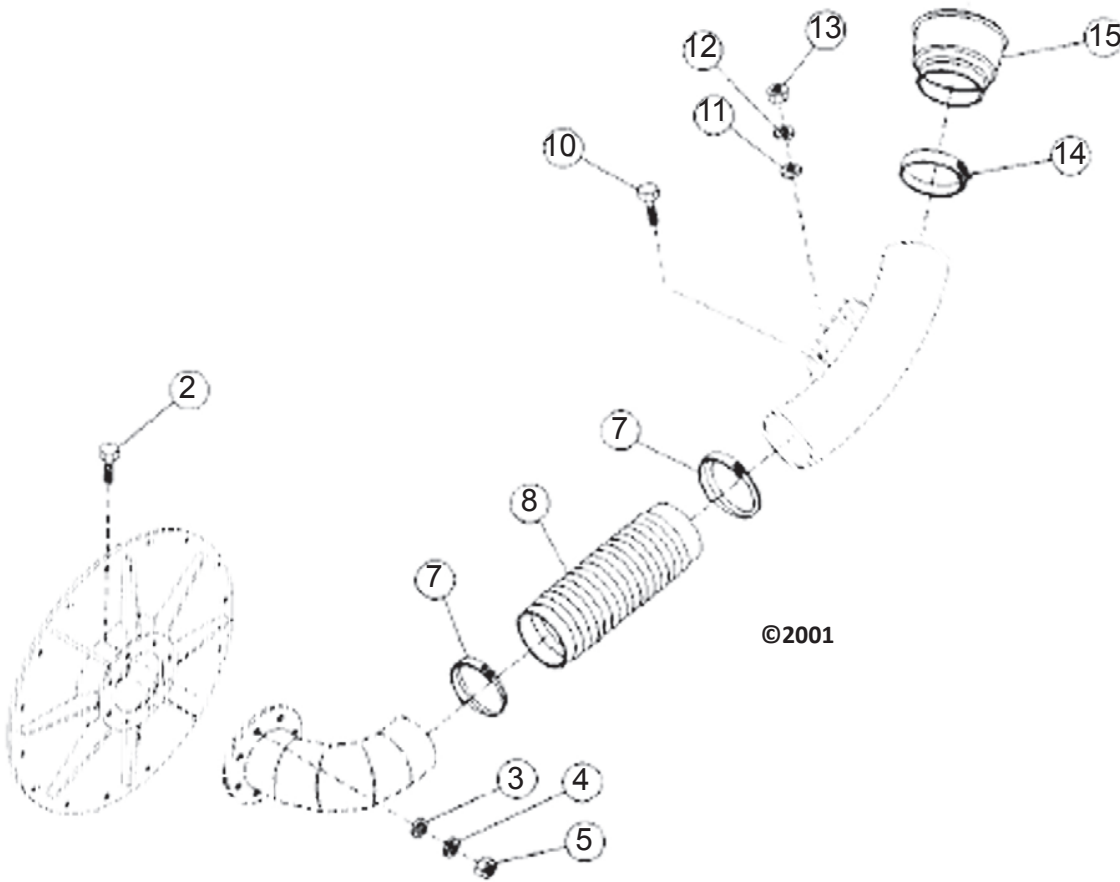
**2100**  
Part # U25975  
**Taper Lock**  
Part # U16056



**2100+** (3.25" Shaft)  
Part # U25975-S  
**Taper Lock**  
Part # U47801F-30

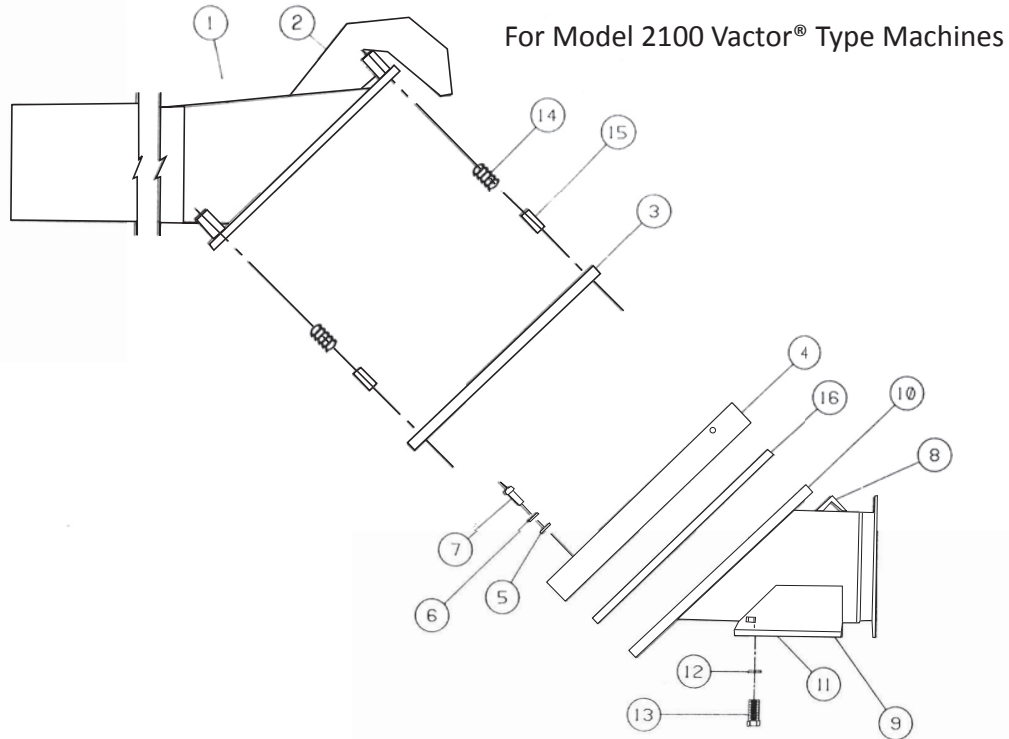
# Fan Duct Installation

For Model 2100 Vector® Type Machines



ITEM #:	PART #:	DESCRIPTION	QUANTITY
2	U16343A	Bolt - Hex Head 3/8" - 16 NC x 1" Long 3/8"	8
3	U16365B	Flat Washer	8
4	U16367B	3/8" Lock Washer	8
5	U16360B	3/8" - 16 Hex Head Nut	8
7	U70406**	Clamp	2
8	U47394-Bulk	10" Kanaflex Style Hose 16" Long - No Cuff	1
10	U16355D	Screw, 5/8 - 11 x 1 3/4 Hex Head	4
11	U16365D	5/8" Flat Washer	4
12	U16367-D	5/8" Lock Washer Med Spring	4
13	U16360-D	5/8" - 11 NC Nut	4
14	U70406**	Clamp	1
15	U45716	10" Rubber Compression Inlet Boot	1

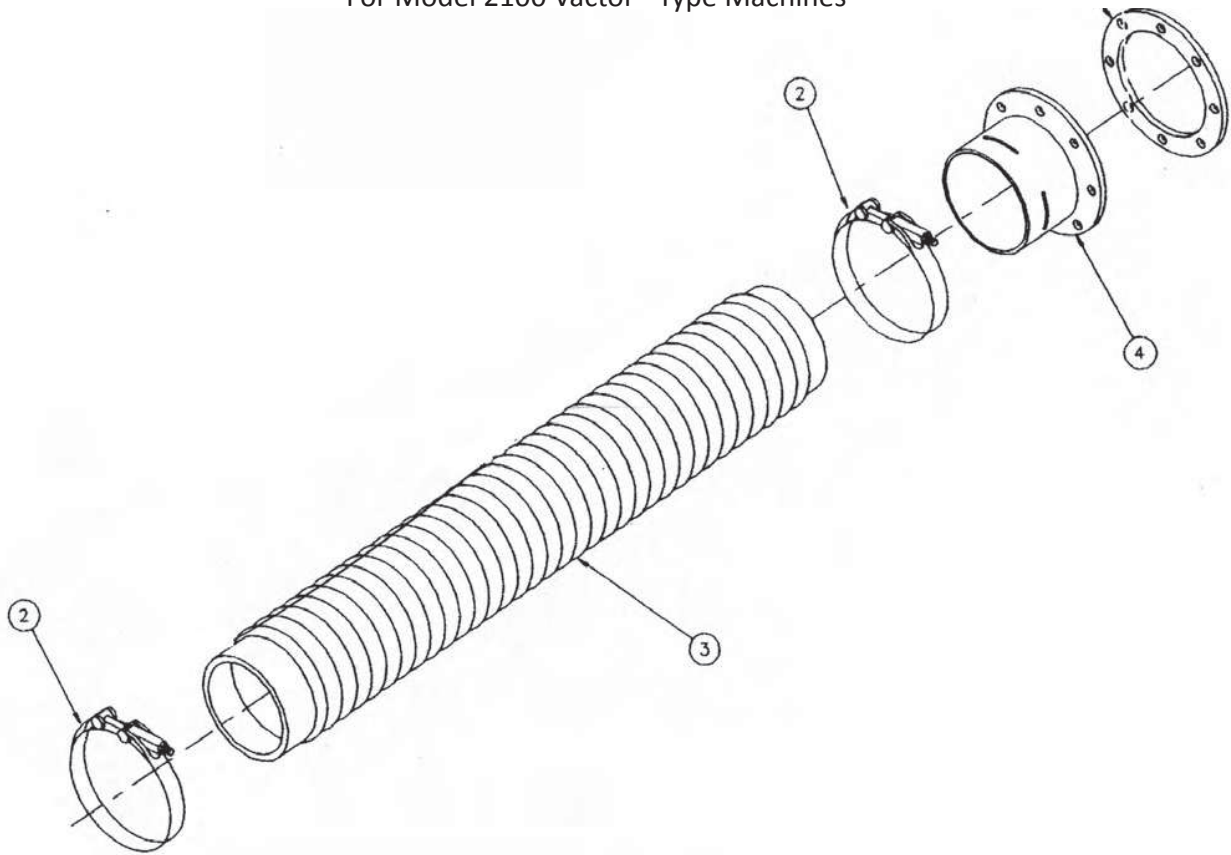
# ***Vacuum Box Assembly*** ***(Vacuum Box Debris Inlet Assembly)***



ITEM #:	PART #:	DESCRIPTION	QUANTITY NEEDED
1	U54596	Inlet Head Weldment	1
2	U29087	Centering Plate	1
3	U25656	Seal, Assembly Sponge Inlet	1
4	U23604	Weldment, Seal Frame	1
5	U16364	Washer, Flat 1/4" USS Zinc	4
6	U16366	Washer, Lock 1/4"	4
7	U16332E	Screw, 1/4-20 x 1 1/4 CAP GR 5	4
8	U27772	Dustbox, Guide Angle	1
9	U34953	Angle Anchor - Dustbox Inlet	2
10	U34961**	Inlet Assembly	1
11	U16360E	Nut, Hex 3/4-10 Zinc Plated	4
12	U16367E	Washer, Lock 3/4" Hi Collar	4
13	U16370B	Screw, 3/4-10 x 1 3/4 CAP	4
14	U16437-D	Spring, 3/4" OD x 2" Long	4
15	U23771	Pin, Steel .75 DIA x 1.75 Long	4
16	U54056	Gasket - Debris Inlet Rubber	1
17	U59450	Head Extension Weldment	1

# Inlet Hose Installation

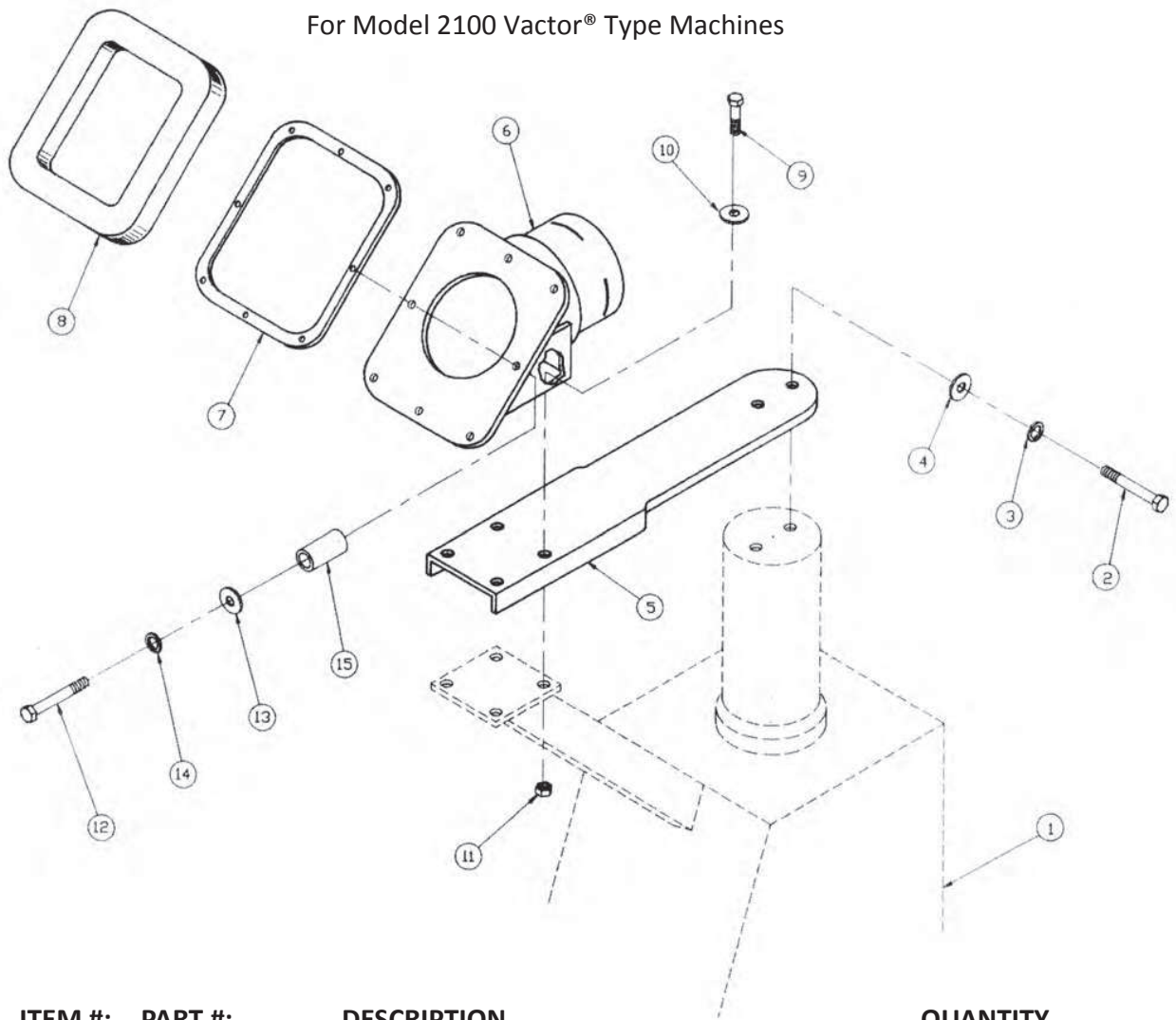
For Model 2100 Vector® Type Machines



ITEM #:	PART #:	DESCRIPTION	QUANTITY NEEDED
2	U42594	Clamp, King 8"	2
3	U46564	8" x 62" Cuffed Debris Hose	1
4	U58795	8" Flange Weldment Assembly	1
5	U16585	8" Flange Gasket	1

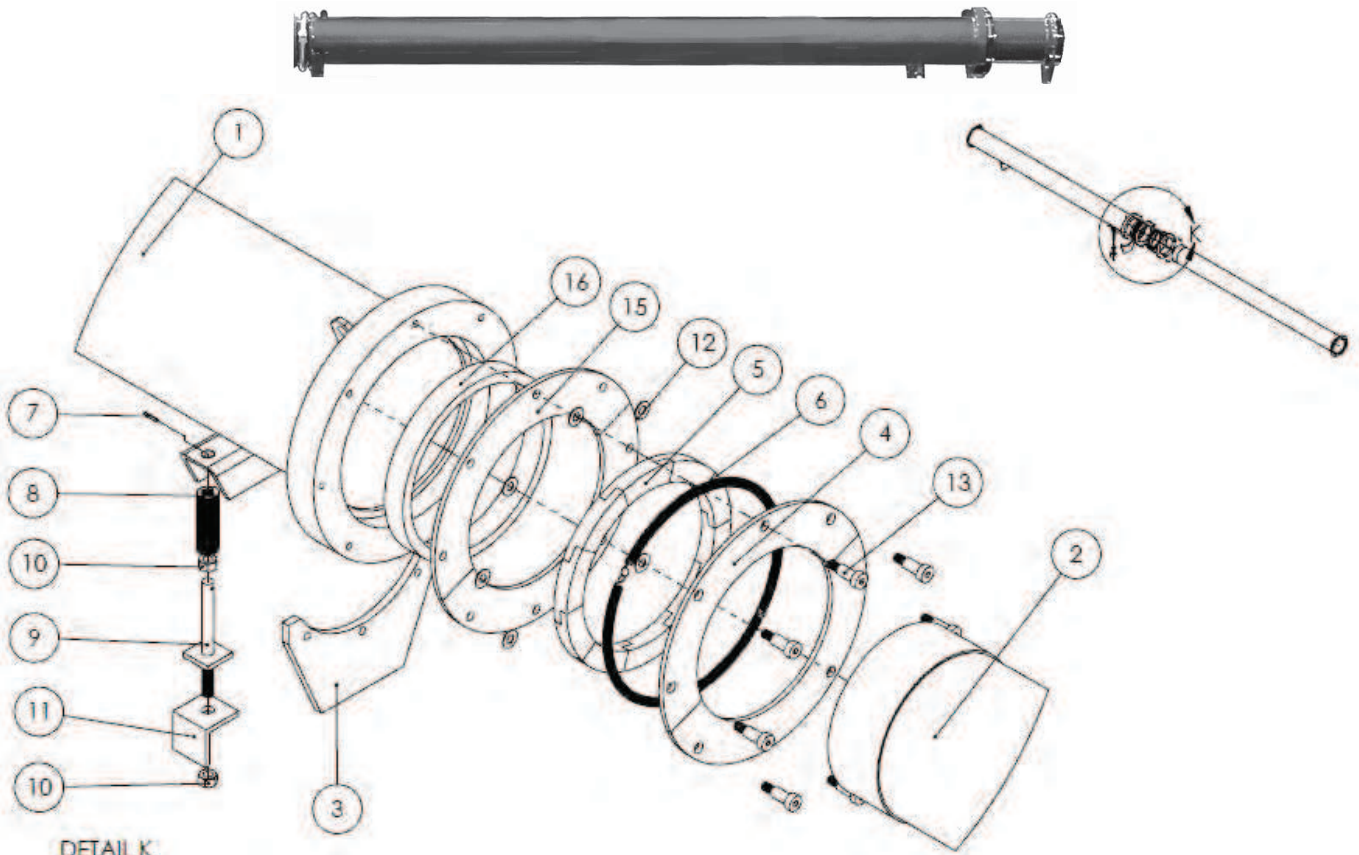
# Inlet Hose Installation

For Model 2100 Vector® Type Machines



ITEM #:	PART #:	DESCRIPTION	QUANTITY NEEDED
2	U43048	Screw, 7/8-9NC x 1 3/4 Hex Head Cap	2
3	U16367F	Washer, Lock 7/8" Zinc Plated	2
4	U16364F	Washer, Flat 7/8" SAE Zinc	2
5	U62065	Anchor Plate	1
6	U62222**	Inlet Weldment	1
7	U62232	Frame, Seal Holder	1
8	U62987**	Inlet Seal	1
9	U42392	Screw, 1/2-13 x 1 1/4 Hex Head Cap	4
10	U16365C	Washer, 1/2" Flat USS	4
11	U20121E	Nut, Nylok 1/2-13 Hex Zinc	4
12	U16339C	Screw, 5/16-18 NC x 1 1/4 Plated	8
13	U16365A	Washer, Flat 5/16"	8
14	U16367A	Washer, Lock 5/16"	8
15	U62392	Collar, Tube 90°x 90°	8

# TELESCOPING TUBE ASSEMBLY U62034



DETAIL K

ITEM NO.	PART NUMBER	DESCRIPTION	QTY.
1	U62033	OUTER TUBE WELDMENT	1
2	U62031	INNER TUBE WELDMENT	1
3	U58925	FRONT PLATE SUPPORT	1
4	U59827	RETAINER SEAL	2
5	U59826	AIR SEAL SEGMENT	10
6	U44581	14.5" SPRING	1
7	U16420	PIN, ROLL 1/8" X 3/4" STEEL	2
8	U44645	SPRING DIE- HEAVY LOAD SPRING	2
9	U59832	SPRING KEEPER ASSEMBLY	2
10	U16359D	NUT, HEX 1/2-13" NC	4
11	U59828	MOUNTING ANGLE	2
12	U40683	WASHER, FLAT 1/8" X 3/4" SS	8
13	U44580	BOLT, SHOULDER 1/2"-13 X 1"	8
14	U58924	REAR SUPPORT PLATE	1
15	U59825	RETAINER, SEAL (SM HOLE)	2
16	U62029	BUSHING, OUTER-INNER TUBE WELDMENT	1

## ***Worm Gear Rotator Assembly***

This worm gear rotator assembly is the essential drive unit to activate the slewing bearing ring, which activates the boom turret on Vac-Con® combo trucks. Precision manufactured to meet the demands of the boom turret and has been perfected to be an exact replacement.



<b>Part #</b>	<b>Description</b>	<b>Weight</b>
VC644-0132	Worm Gear Rotator Assembly	54 lbs.

## ***Slewing Bearing Ring Worm Gear***

This slewing bearing gear is manufactured to meet the demands of the boom turret on Vac-Con® manufactured combo trucks. Exact replacement.



<b>Part #</b>	<b>Description</b>	<b>Weight</b>
VC644-0131	Slewing Bearing Ring Worm Gear	59 lbs.

## ***Rotating Front Hose Reel Bearing***

This front hose reel bearing fits Vector® style 2100 & 2100 plus sewer cleaning combo trucks and is precision manufactured to meet the everyday demands of this application. This product is an exact replacement part.



<b>Part #</b>	<b>Description</b>	<b>Weight</b>
U45548H	Rotating Front Hose Reel Bearing	60 lbs.

## ***Stop Block Tooth***

Stop block tooth components have been precision manufactured to meet the application demands of restricting a Vector® machine's front hose reel from rotating.



<b>Part #</b>	<b>Description</b>	<b>Attachment Hole</b>
U61297	Stop Block Tooth	Center
U61297D	Stop Block Tooth	Offset